



**Grid Solutions**  
a GE and Alstom joint venture

# BiTRONICS M870D

Remote display for use with 70 series IEDs

BiTRONICS M870D provides users of the 70 series IEDs the option of a local or remote indication of measured or calculated parameters

- 1 Recommendation and estimate  
Receipt of order
- 2 Send sampling kit  
Sampling
- 3 Identification of samples  
Performance of tests
- 4 Comparison with previous results  
Send report



## CUSTOMER BENEFITS

- Large easy-to-read LEDs
- Choose parameters to be displayed, engineering units and decimal point placement
- Allows front panel configuration of 70 series IEDs through DB9 pass-through connection

## Large easy-to-read LEDs

### FEATURES

- Rugged aluminium 4" (101.6 mm) round case
- Bright, high-efficiency, high reliability LEDs
- Three lines displayed simultaneously
- High resolution: Five significant digits per line
- Pre-set engineering units or customised text automatically displayed
- Buttons allow for scrolling to desired parameter, or can be set for continuous looping of parameters
- DB9 pass-through front port allows direct hookup to any 70 series IED from front of display for easy configuration and file download between the 70 series IED and PC
- Selectable RS232 or RS485 connection from any 70 series IED
- Up to 15 displays supported over any of the RS485 ports by each 70 series IED

1. Pressing any button when the display is scrolling will end the scroll

2. Connect to the front panel RS232 port with a "pass-through" cable.

Move up and down through list of screens. If display is scrolling, the first button pressed will stop the scrolling

Scroll Return through screens to "Home" screen. If display is scrolling, the first button pressed will stop the scrolling

Toggle display scroll On and Off



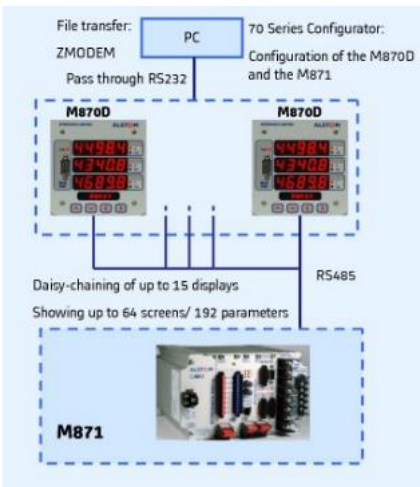
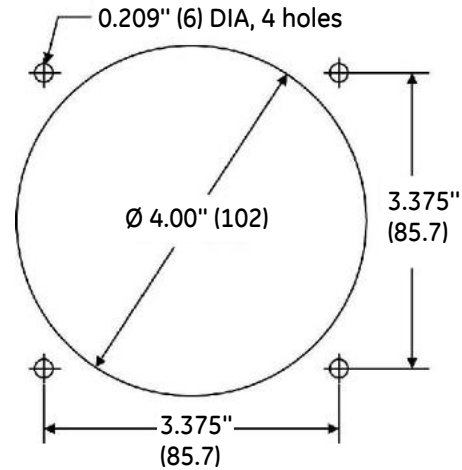
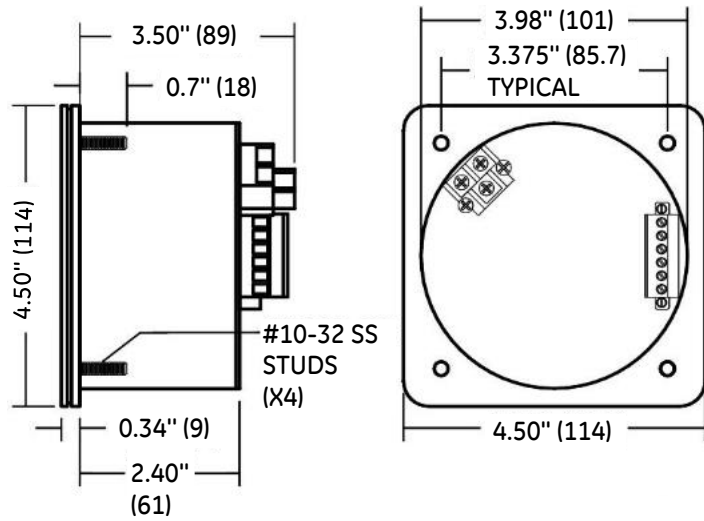
The M870D fits in a standard 4" (101.6 mm) round opening and features a very low profile (only 3.5" (88.9 mm) behind panel). Other design features include:

- -40° to +70°C operating temperatures
- Wide range universal power supply (nominal 24-250 Vdc/69-250 Vac)

**CONFIGURATION**

The M870D can be easily configured via the supplied Windows® based 70 series configurator providing:

- Selection of parameters to be displayed
- Selection of decimal place
- Ability to add special characters



For more information please contact  
 GE Grid Solutions

**Worldwide Contact Center**  
 Web: [www.GEGridSolutions.com/contact](http://www.GEGridSolutions.com/contact)  
 Phone: +44 (0) 1785 250 070

[www.GEGridSolutions.com](http://www.GEGridSolutions.com)

