

# Model JVM-2

**Indoor Voltage Transformer**  
**2,400 V, BIL 45 kV, 50/60 Hz**

## Application

Designed for indoor service; suitable for operating meters, instruments, relays, and control devices.

## Thermal Rating (Volt-Amperes)

55 °C Rise above 30 °C Ambient .....750  
30 °C Rise above 55 °C Ambient .....500

## Weight

(approximate, in pounds)

Unfused .....35/30  
With one primary fuse .....37/32  
With two primary fuses .....38/33

## Reference Drawings

Accuracy Curve ..... 9689241267  
Excitation Curve ..... 5454043

## Outline Drawings:

Unfused with Primary Bushings ...9925196  
Unfused with Primary Terminal Cover.....  
.....9925197  
Single Fuse.....9925198  
Two Fuse .....9925199  
Wiring Diagram ..... refer to page 42, fig. 5

## Accessories - Catalog Number

Fuses, 600 Volt Class, 1 Ampere .....  
.....9F60AAB001  
Secondary Terminal Conduit Box.....  
..... 9925183001



JVM-2 Voltage Transformer  
(two primary fuses with fuse covers)

## JVM-2

Line-To-Line Circuit Voltage for Permissible Primary Connection	Transformer Rating <sup>(1)</sup>			ANSI Accuracy Class, 60 Hz			Burden Impedances at Rated Voltage, but Operated at 58 % Rated Voltage <sup>(2)</sup>	Catalog Number <sup>6</sup>	Fuse Ratings	
	Δ	Y	Y Only <sup>(3)</sup>	Primary Voltage	Ratio	Operated at Rated Voltage			Operated at 58 % of Rated Voltage	Amps
<b>Primary Terminal Bushings</b>										
2,400	2,400	4160	2,400	20:1	0.3 W, X, M, Y; 1.2 Z	0.3 W, X; 1.2 M, Y	0.3 W', X', M', Y'; 1.2 Z'	762X022003	---	---
<b>Primary Terminal Cover</b>										
2,400	2,400	4160	2,400	20:1	0.3 W, X, M, Y; 1.2 Z	0.3 W, X; 1.2 M, Y	0.3 W', X', M', Y'; 1.2 Z'	762X022004	---	---
<b>One Fuse <sup>(5)</sup></b>										
2,400	2,400	4160 <sup>(4)</sup>	2,400	20:1	0.3 W, X, M, Y; 1.2 Z	0.3 W, X; 1.2 M, Y	0.3 W', X', M', Y'; 1.2 Z'	762X022002	1A	2,400
<b>Two Fuses</b>										
2,400	2,400	4160 <sup>(4)</sup>	2,400	20:1	0.3 W, X, M, Y; 1.2 Z	0.3 W, X; 1.2 M, Y	0.3 W', X', M', Y'; 1.2 Z'	762X022001	1A	2,400

### Notes:

(1) For continuous operation, the transformer's rated primary voltage should not be exceeded by more than 10 %. Under emergency conditions, over-voltage must be limited to 1.25 times the transformer primary voltage rating.

(2) Operated at 58% of Rated Voltage; the prime symbol (') is used to signify that these burdens do not correspond to standard ANSI definitions

(3) The insulation strength of these transformers is below the impulse level of 60 kV recommended by ANSI for 5 kV service.

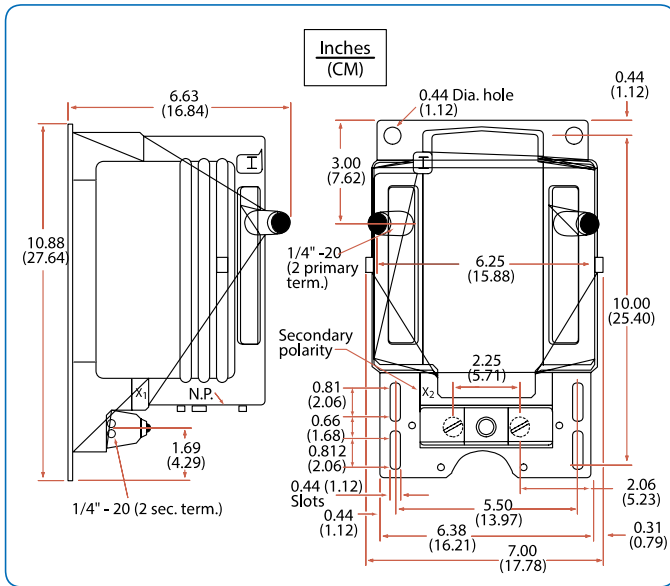
(4) The circuit must be solidly grounded with a 4160 V Y primary connection, since the fuse is rated only to 2,400 volts.

(5) On transformers with one primary fuse, the neutral terminal insulation to ground is 2,500 volts

(6) Measurement Canada Approval: AE-0311



## JVM-2 Dimensions



### Construction and Insulation

Please refer to General Product Information, item 1.8.

### Core and Coils

A shell-type core is used. Enamel-insulated wire is used in both the primary and secondary coils.

### Primary Terminals

The primary terminals are located on the top of the transformer. They consist of 1/4 inch-20 screws, with lock washers and cup washers.

Unfused models are available with either a primary terminal cover or primary terminal bushings. The terminal cover is a sealable, molded-phenolic cover, which fits over the primary terminals to provide primary circuit insulation and to prevent tampering. When bushings are provided, the primary terminals are located on top of raised, cylindrical tapping bushings to improve ease of tapping the connection between the primary circuit conductors and the terminals. When primary terminal bushings are provided, a terminal cover cannot be accommodated.

Models with a single fuse have their line terminals located on the left side of the fuse support, and the neutral terminal is located on top of the right side of the transformer. The neutral terminal has full primary voltage insulation. On models with two fuses, the primary terminals are attached directly to the fuse supports. Both single and dual fuse models are provided with fuse covers with seal tabs pre-assembled on the transformer. The covers are molded of HY-BUTEI60 insulation.

### Secondary Terminals

The secondary terminals are located at the lower front of the transformer, and are specifically designed to be accessible from the top of the transformer. The secondary terminals are 1/4 inch-20 screws with lock washers. The secondary terminal cover is molded of black phenolic resin.

### Conduit Box

A secondary terminal conduit box is available as an optional accessory in place of the standard secondary terminal cover. The conduit box is fabricated from pressed steel, and is fitted with two 1 inch conduit hubs, a 3/4 inch and 1 inch knockout, one pipe plug, polarity markers, and a gasketed cover secured by four sealable captive thumbscrews.

### Polarity

Please refer to General Product Information, item 7.1.

### Baseplate and Mounting

Please refer to General Product Information, item 5.1.

### Nameplate

Please refer to General Product Information, item 6.9.

### Maintenance

Please refer to General Product Information, item 10.1 and pages 24-27.

### [GEGridSolutions.com](http://GEGridSolutions.com)

ITI-Model-JVM-2-Spec-EN-2017-11-Grid-AIS-1500. © Copyright 2017. General Electric Company and Instrument Transformers LLC reserve the right to change specifications of described products at any time without notice and without obligation to notify any person of such changes.

### Worldwide Contact Center

Web: [www.GEGridSolutions.com/contact](http://www.GEGridSolutions.com/contact)

Phone: +44 (0) 1785 250 070

USA and Canada: +1 (0) 800 547 8629

Europe, Middle East and Africa: +34 (0) 94 485 88 00

